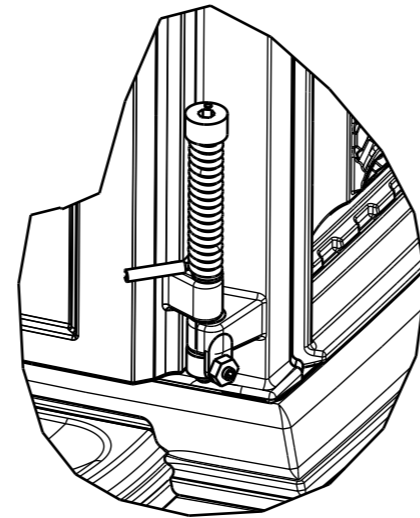
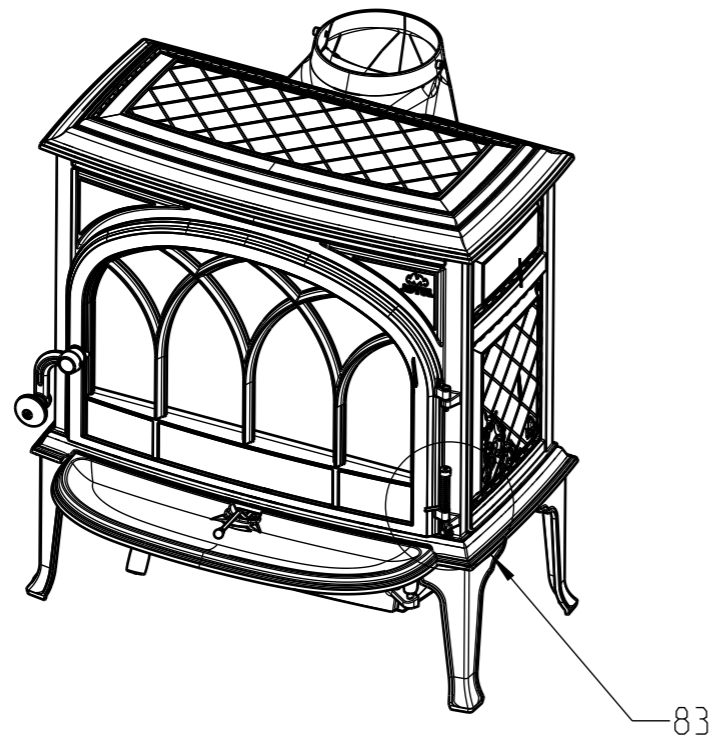


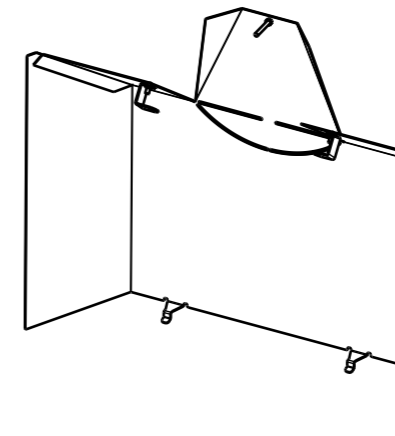
XX YY XX-Position number YY-Quantity

Partlist, Jøtul F 400 ECO		
Jøtul AS Fredrikstad, Norway	Draw.no: 900344-P01 Page. 1	Date: 06.01.2021

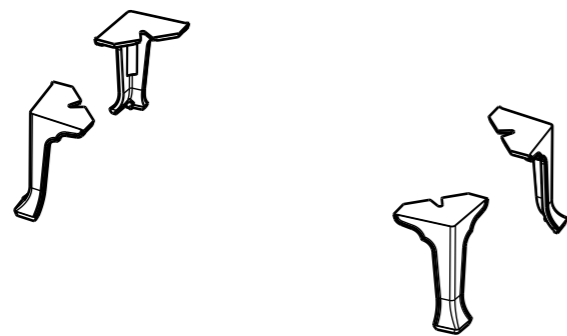
Optional Equipment



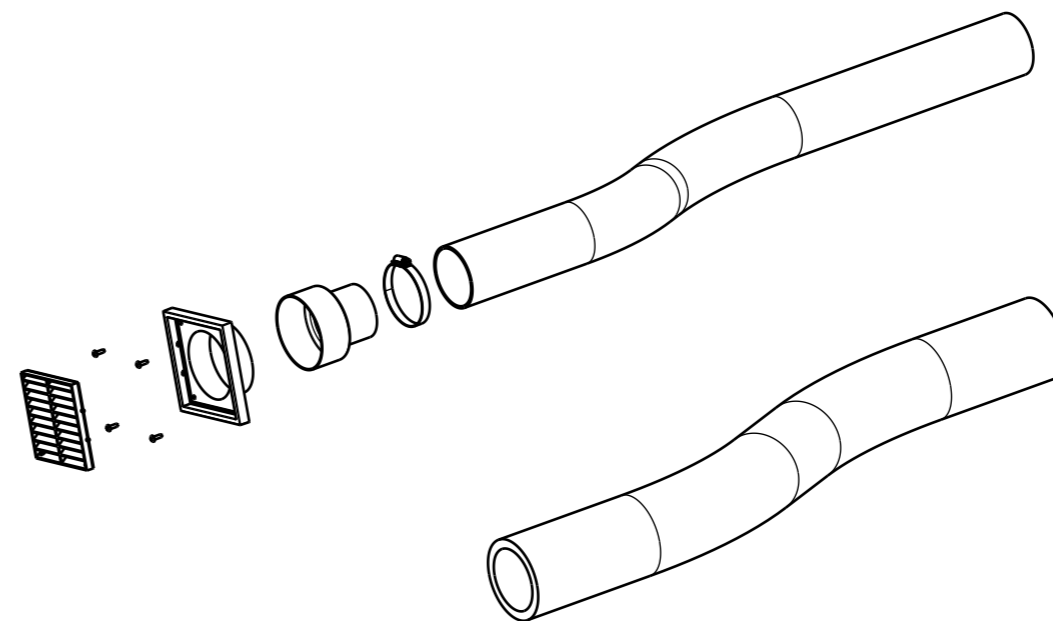
Pos. 83



Pos. 85



Pos. 84



Pos. 86

Partlist, Jøtul F 400 ECO		
Jøtul AS Fredrikstad, Norway	Draw.no: 900344-P01 Page. 2	Date: 06.01.2021

Jøtul F 400 ECO

Jøtul F 400 ECO SD BP cat. no. 30058789, Jøtul F 400 ECO SE BP cat. no. 30058790

Jøtul F 400 ECO SE BBE cat. no. 30058791, Jøtul F 400 ECO SE IVE cat. no. 30058792, Jøtul F 400 ECO SE BRM cat. no. 30058793

BP= Sort lakk/Black Paint, BBE= Blåsort Emalje/Blue Black Enamel, IVE= Edelhvit Emalje/ Ivory enamel, BRM=Brun Majolika Emalje/ Brown Majolica Enamel, UP= Ulakkert/Unpainted

Pos. no.	Spareparts	Benevnelse	Description	Dim./Spec.
1	10058468	Hvelv vermikulitt	Baffle vermiculite	Vermiculite
2	12020966	Røyktut komplett BP	Smoke Outlet Complete BP	Cast iron min. 4mm thickness
2	12020962	Røyktut komplett BBE	Smoke Outlet Complete BBE	Cast iron min. 4mm thickness
2	12020963	Røyktut komplett IVE	Smoke Outlet Complete IVE	Cast iron min. 4mm thickness
2	12021718	Røyktut komplett BRM	Smoke Outlet Complete BRM	Cast iron min. 4mm thickness
3	12059129	Bakplate øvre komplett BP	Rear Plate Upper Complete BP	Cast iron min. 4mm thickness
3	12059130	Bakplate øvre komplett BBE	Rear Plate Upper Complete BBE	Cast iron min. 4mm thickness
3	12059131	Bakplate øvre komplett IVE	Rear Plate Upper Complete IVE	Cast iron min. 4mm thickness
3	12059132	Bakplate øvre komplett BRM	Rear Plate Upper Complete BRM	Cast iron min. 4mm thickness
4	12058966	Ledeplate UP	Exhaust Deflector UP	Cast iron min. 4mm thickness
5	12059002	Topplate BP	Top plate BP	Cast iron min. 4mm thickness
5	12059003	Topplate BBE	Top plate BBE	Cast iron min. 4mm thickness
5	12059004	Topplate IVE	Top plate IVE	Cast iron min. 4mm thickness
5	12059005	Topplate BRM	Top plate BRM	Cast iron min. 4mm thickness
6	12058903	Brennplate høyre komplett	Burn Plate Right Complete UP	Cast iron min. 4mm thickness
7	12058960	Luftkanal side høyre UP	Manifold Side Right UP	Cast iron min. 4mm thickness
8	12059039	Sideplate høyre BP	Side Plate Right BP	Cast iron min. 4mm thickness
8	12059040	Sideplate høyre BBE	Side Plate Right BBE	Cast iron min. 4mm thickness
8	12059041	Sideplate høyre IVE	Side Plate Right IVE	Cast iron min. 4mm thickness
8	12059042	Sideplate høyre BRM	Side Plate Right BRM	Cast iron min. 4mm thickness
9	12021282	Askeleppe pakket BP	Ash Lip packed BP	Cast iron min. 4mm thickness
9	12021283	Askeleppe pakket BBE	Ash Lip packed BBE	Cast iron min. 4mm thickness
9	12021286	Askeleppe pakket IVE	Ash Lip packed IVE	Cast iron min. 4mm thickness
9	12021727	Askeleppe pakket BRM	Ash Lip packed BRM	Cast iron min. 4mm thickness
10	12059134	Luftbrem BP	Air Deflector BP	Cast iron min. 4mm thickness
11	12058957	Luftkanal front nedre UP	Manifold Front Lower UP	Cast iron min. 4mm thickness
12	12018258	Sleideventil UP	Sliding Valve UP	Cast iron min. 4mm thickness
13	12058688	Askerist UP	Ash Grate UP	Cast iron min. 4mm thickness
14	12059014	Frontplate BP	Front Plate BP	Cast iron min. 4mm thickness
14	12059015	Frontplate BBE	Front Plate BBE	Cast iron min. 4mm thickness
14	12059016	Frontplate IVE	Front Plate IVE	Cast iron min. 4mm thickness
14	12059017	Frontplate BRM	Front Plate BRM	Cast iron min. 4mm thickness
15	10024257	Hengselbolt for askedør	Hinge Bolt for Ash Door	ø8,0mm steel
16		Askedør	Ash Door	Cast iron min. 4mm thickness

Jøtul F 400 ECO

Jøtul F 400 ECO SD BP cat. no. 30058789, Jøtul F 400 ECO SE BP cat. no. 30058790

Jøtul F 400 ECO SE BBE cat. no. 30058791, Jøtul F 400 ECO SE IVE cat. no. 30058792, Jøtul F 400 ECO SE BRM cat. no. 30058793

BP= Sort lakk/Black Paint, BBE= Blåsort Emalje/Blue Black Enamel, IVE= Edelhvit Emalje/ Ivory enamel, BRM=Brun Majolika Emalje/ Brown Majolica Enamel, UP= Ulakkert/Unpainted

Pos. no.	Spareparts	Benevnelse	Description	Dim./Spec.
17	10024011	Fjær for klinke	Spring for Latch	ø2mm stainless steel
18	12021523	Håndtak askedør komplett	Handle Ash Door complete	
18	10026768	Låsebolt askedør	Lock Bolt Ash Door	ø10,0mm steel
19	12021540	Trehandtak askehus	Wooden Knob Ash House	Wood
20	12015042	Ben BP (1stk)	Leg BP (1pcs)	Cast iron min. 4mm thickness, hight 215mm
20	12015034	Ben BBE (1stk)	Leg BBE (1pcs)	Cast iron min. 4mm thickness, hight 215mm
20	12015035	Ben IVE (1stk)	Leg IVE (1pcs)	Cast iron min. 4mm thickness, hight 215mm
20	12015039	Ben BRM (1stk)	Leg BRM (1pcs)	Cast iron min. 4mm thickness, hight 215mm
21	10024167	Stengjern	Latch	3mm thick stainless steel
22	10058601	Skjermplate under BP	Heatshield Under BP	Steel, black
23	12021535	Askehus komplett BP	Ash house complete BP	Cast iron min. 4mm thickness
23	12021536	Askehus komplett BBE	Ash house complete BBE	Cast iron min. 4mm thickness
23	12021538	Askehus komplett IVE	Ash house complete IVE	Cast iron min. 4mm thickness
23	12021722	Askehus komplett BRM	Ash house complete BRM	Cast iron min. 4mm thickness
24	10024589	Askeskuff	Ash Pan	0,9mm steel plate
25	10025490	Hylse	Sleeve	Ø10,1x1,0 h=9,5
26	10024590	Hendel sleideventil	Handle Air Setting	ø5,0mm steel
27	12058949	Bunnplate nedre UP	Bottom Plate Lower UP	Cast iron min. 4mm thickness
28	12059010	Bunnplate øvre BP	Bottom Plate Upper BP	Cast iron min. 4mm thickness
28	12059011	Bunnplate øvre BBE	Bottom Plate Upper BBE	Cast iron min. 4mm thickness
28	12059012	Bunnplate øvre IVE	Bottom Plate Upper IVE	Cast iron min. 4mm thickness
28	12059013	Bunnplate øvre BRM	Bottom Plate Upper BRM	Cast iron min. 4mm thickness
29	12058901	Brennplate venstre komplett	Burn Plate Left Complete UP	Cast iron min. 4mm thickness
30	10058474	Isolasjonsmatte side høyre/venstre	Insulation Mat Side Right/Left	Fibre
31	12058959	Luftkanal side venstre UP	Manifold Side Left UP	Cast iron min. 4mm thickness
32	12059035	Sideplate venstre BP	Side Plate Left BP	Cast iron min. 4mm thickness
32	12059036	Sideplate venstre BBE	Side Plate Left BBE	Cast iron min. 4mm thickness
32	12059037	Sideplate venstre IVE	Side Plate Left IVE	Cast iron min. 4mm thickness
32	12059038	Sideplate venstre BRM	Side Plate Left BRM	Cast iron min. 4mm thickness
33		Luftkanal bakre UP	Manifold Rear UP	Cast iron min. 4mm thickness
34	10058476	Isolasjonsmatte luftkanal	Insulation Mat Air Manifold	Fibre
35	10058477	Isolasjonsmatte bakre	Insulation Mat Rear	Fibre
36	12059044	Bakplate nedre BP	Rear Plate Lower BP	Cast iron min. 4mm thickness
36	12059045	Bakplate nedre BBE	Rear Plate Lower BBE	Cast iron min. 4mm thickness

Jøtul F 400 ECO

Jøtul F 400 ECO SD BP cat. no. 30058789, Jøtul F 400 ECO SE BP cat. no. 30058790

Jøtul F 400 ECO SE BBE cat. no. 30058791, Jøtul F 400 ECO SE IVE cat. no. 30058792, Jøtul F 400 ECO SE BRM cat. no. 30058793

BP= Sort lakk/Black Paint, BBE= Blåsort Emalje/Blue Black Enamel, IVE= Edelhvit Emalje/ Ivory enamel, BRM= Brun Majolika Emalje/ Brown Majolica Enamel, UP= Ulakkert/Unpainted

Pos. no.	Spareparts	Benevnelse	Description	Dim./Spec.
36	12059046	Bakplate nedre IVE	Rear Plate Lower IVE	Cast iron min. 4mm thickness
36	12059047	Bakplate nedre BRM	Rear Plate Lower BRM	Cast iron min. 4mm thickness
37	12058904	Brennplate Bakre Komplet UP	Burn Plate Rear Complete UP	Cast iron min. 4mm thickness
37		Brennplate Bakre UP	Burn Plate Rear UP	Cast iron min. 4mm thickness
38	12058965	Inspeksjonsdeksel	Inspection Lid UP	Cast iron min. 4mm thickness
39	10024103	Hengsel dubb, sortkromatisert (for BP and BBE produkt)	Hinge pin, black chromated (for BP and BBE products)	ø6x33mm, steel
39	10023975	Hengsel dubb, forniklet (for IVE and BRM produkt)	Hinge pin, nickel plated (for IVE and BRM products)	ø6x33mm, steel
40	10026173	Glassklips SD, produkt	Glass Clip, SD products	1mm thick stainless steel
41	10049325	Glassklips SE, produkt	Glass Clip, SE products	1mm thick stainless steel
42	10025605	Glass SD/SE	Glass SD/SE	4mm thick Ceramic glass
43	10025872	Glasslist U-profil	U-Channel	0,7mm thick stainless steel
44	10024108	Klips for låsing av pakningsender	Clip for locking gasket ends	1mm thick stainless steel
45	12021465	Dør komplett uten glass SD BP	Door complete without glass SD BP	
46		Dør SD (med spiler)	Door SD (with archs)	Cast iron min. 4mm thickness
47	12036725	Dør komplett uten glass SE BP	Door complete without glass SE BP	
47	12051904	Dør komplett uten glass SE BBE	Door complete without glass SE BBE	
47	12051905	Dør komplett uten glass SE IVE	Door complete without glass SE IVE	
47	12051315	Dør komplett uten glass SE BRM	Door complete without glass SE BRM	
48		Dør SE (uten spiler)	Door SE (without archs)	Cast iron min. 4mm thickness
49	12021215	Vrider kompl m\ treknott BP	Latch compl w\wooden knob BP	
49	12020952	Vrider kompl m\ treknott forniklet	Latch compl w\wooden knob Nicl.	
49		Vrider BP (for BP produkt)	Latch BP (for BP products)	Cast iron min. 4mm thickness
49		Vrider Forniklet (for emaljerte produkt)	Latch, nickel cromat (for enamelled products)	Cast iron min. 4mm thickness
50	10023684	Skrue M6X25 lang tapp	Screw M6x25 Long Dog Point Set	Steel
51	10024025	Treknott	Wooden knob	Hardved\hard wood
52	10024023	Hylse	Sleeve	Ø8xØ6xL27,5mm, Steel
53	10023919	Skive spesial	Washer special	Ø23xØ8,2x2 insulating mat.
54	10024022	Stengejern	Latch bolt	ø10,0mm steel
55		Pakning til røyktut mot Bakplate øvre	Gasket for Smoke Outlet towards Rear Plate Upper	LD-250-2 graph Ø6,4x930mm
56		Pakning til Bakplate øvre mot Bakplate nedre	Gasket for Rear Plate Upper towards Rear Plate Lower	LD-250-2 graph Ø6,4x840mm
57		Pakning til Topplate	Gasket for Top Plate	LD 375-2 Ø9,5x1840mm

Jøtul F 400 ECO

Jøtul F 400 ECO SD BP cat. no. 30058789, Jøtul F 400 ECO SE BP cat. no. 30058790

Jøtul F 400 ECO SE BBE cat. no. 30058791, Jøtul F 400 ECO SE IVE cat. no. 30058792, Jøtul F 400 ECO SE BRM cat. no. 30058793

BP= Sort lakk/Black Paint, BBE= Blåsort Emalje/Blue Black Enamel, IVE= Edelhvit Emalje/ Ivory enamel, BRM= Brun Majolika Emalje/ Brown Majolica Enamel, UP= Ulakkert/Unpainted

Pos. no.	Spareparts	Benevnelse	Description	Dim./Spec.
58		Pakning til Askedør	Gasket for Ash Door	LD 375-2 Ø9,5x1020mm
59		Pakning til Askehus mot Bunnplate nedre	Gasket for Ash House towards Bottom Plate Lower	LD-250-2 graph Ø6,4x940mm
60		Pakning til Hendel sleideventil	Gasket for Handle Air Setting	LD 375-2 Ø9,5x140mm
61		Pakning til Inspeksjonsdeksel	Gasket for Inspection Lid	LD-250-2 graph Ø6,4x500mm
62		Pakning til Glass	Gasket for Glass	LD-250-2 graph Ø6,4x1450mm
63		Pakning til Dør mot Frontplate	Gasket for Door towards Front Plate	LD 375-2 Ø9,5x1750mm
64	10023465	Skrue sekskanthode M8x16 DIN 933	Screw Hexagon Cap M8x16 DIN 933	St8.8 / ANSI B18.2
65	10023661	Skrue sekskant med flens M8x16 DIN 6921	Screw Hex Cap Flange M8x16 DIN 6921	St8.8 / ANSI B18.2
66	10023662	Skrue sekskant med flens M8x20 DIN 6921	Screw Hex Cap Flange M8x20 DIN 6921	St8.8 / ANSI B18.2
67	10023663	Skrue sekskant med flens M8x25 DIN 6921	Screw Hex Cap Flange M8x25DIN 6921	St8.8 / ANSI B18.2
68	10023550	Skrue sekskanthode M8x50 DIN 933	Screw Hexagon Cap M8x50 DIN 933	St8.8 / ANSI B18.2
69	10023541	Skrue sekskant med flens M6x16 DIN 6921	Screw Hex Cap Flange M6x16 DIN 6921	St8.8 / ANSI B18.2
70	10023536	Skrue sekskant med flens M6x25 DIN 6921	Screw Hex Cap Flange M6x25 DIN 6921	St8.8 / ANSI B18.2
71	10023561	Skrue sylindrh. innv. sekskant lavh. M6x8 DIN 7984	Screw cylinder head int.hex. low head M6x16 DIN 7984	St8.8 / ANSI B18.2, black
72	10023588	Skrue sylindrh. innv. sekskant M6x12 DIN 912	Screw cylinder head int.hex M6x12 DIN 912	St8.8 / ANSI B18.2, phosphate
73	10023689	Skrue, maskin M6x60 EIZn DIN 7985	Screw machine M6x60 EIZn DIN 7985	Pan head pozidrive, steel
74	10023611	Skrue, maskin M6x40 EIZn DIN 7985	Screw machine M6x40 EIZn DIN 7985	Pan head pozidrive, steel
75	10023666	Mutter sekskant med flens M6 DIN 6923	Nut Hexagon Cap Flange M6 DIN 6923	St8.8 / ANSI B18.2
76	10023475	Mutter sekskant M6 DIN 934	Nut Hexagon M6 DIN 934	St8.8 / ANSI B18.2
77	10023552	Mutter sekskant M10 DIN 934	Nut Hexagon M10 DIN 934	St8.8 / ANSI B18.2
78	10024339	Skive M6 messing	Washer M6 Brass	Ø6,2xØ12x1,8, steel
79	10023464	Skive M6 EIZn	Washer M6 ELZn	Ø6,4xØ12,5x1,6, St8,8, DIN 125, steel
80	10023578	Skive M10 svart, spesial (for BP produkt)	Washer M10 Black, Special (for BP products)	Ø10,5xØ25x1,5 Steel
80	10023571	Skive M10 forniklet, spesial (for emaljerte produkt)	Washer M10 Nickel plated, Special (for enamelled products)	Ø10,5xØ25x1,5 Steel
81	10023568	Skive M8 EIZn	Washer M8 EIZn	Ø8,4xØ17x1,6, St8,8, DIN 125, steel
82	12020634	Treknott med smådeler	Wooden knob inclusive small parts	
83	10025474	Selvlukkemekanisme for dør	Self Closing Mechanism for door	
84	12015095	Ben BP (1stk)	Leg BP (1pcs)	Cast iron min. 4mm thickness, hight 155mm
84	12015093	Ben BBE (1stk)	Leg BBE (1pcs)	Cast iron min. 4mm thickness, hight 155mm
84	12028848	Ben IVE (1stk)	Leg IVE (1pcs)	Cast iron min. 4mm thickness, hight 155mm
84	12028851	Ben BRM (1stk)	Leg BRM (1pcs)	Cast iron min. 4mm thickness, hight 155mm

Jøtul F 400 ECO

Jøtul F 400 ECO SD BP cat. no. 30058789, Jøtul F 400 ECO SE BP cat. no. 30058790

Jøtul F 400 ECO SE BBE cat. no. 30058791, Jøtul F 400 ECO SE IVE cat. no. 30058792, Jøtul F 400 ECO SE BRM cat. no. 30058793

BP= Sort lakk/Black Paint, BBE= Blåsort Emalje/Blue Black Enamel, IVE= Edelhvit Emalje/ Ivory enamel, BRM=Brun Majolika Emalje/ Brown Majolica Enamel, UP= Ulakkert/Unpainted

<i>Pos. no.</i>	<i>Spareparts</i>	<i>Benevnelse</i>	<i>Description</i>	<i>Dim./Spec.</i>
84	51012177	Ben BP (4 stk)	Leg BP (4 pcs)	Cast iron min. 4mm thickness, hight 155mm
84	51012178	Ben BBE (4 stk)	Leg BBE (4 pcs)	Cast iron min. 4mm thickness, hight 155mm
84	51012179	Ben IVE (4 stk)	Leg IVE (4 pcs)	Cast iron min. 4mm thickness, hight 155mm
84	51012279	Ben BRM (4 stk)	Leg BRM (4 pcs)	Cast iron min. 4mm thickness, hight 155mm
85	50012949	Skjermplate bak, sort	Heat Shield rear, black	1mm thick, steel
85	50012950	Skjermplate bak, blank (for IVE produkt)	Heat Shield rear, aluzinc (for IVE products)	1mm thick, steel, aluzinc
86	51047509	Utelufttilkobling Ø80mm	Outside Air Connection Ø80mm	
87	50052674	Spryflaske BP	Spray Bottle BP	200ml
88	10024146	Lakkflaske BBE	Paint, bottle BBE	20ml
89	50012790	Lakkflaske IVE	Paint, bottle IVE	20ml
90	10026262	Lakkflaske BRM	Paint, bottle BRM	20ml
				Drawing: 900345-P02